

**NERAN<sup>®</sup> 能元**  
宁波能元机械有限公司 Ningbo Nengyuan Machinery Co., Ltd  
船用空压机系列



**NERAN<sup>®</sup> 能元**

能元智造  
慧及全球

宁波能元机械有限公司

Ningbo Nengyuan Machinery Co., Ltd.

地址：浙江省宁波市鄞州区东吴镇平塘工业区

手机：13586585598 15957898833

邮箱：nbny@vip.163.com

电话：400-831-0886 (400 服务热线)

电话：0086 574 89022977

传真：0086 574 89022978

邮编：315113

[www.neran.com.cn](http://www.neran.com.cn)

# 关于能元 ABOUT NENGYUAN

## 能元为您提供专业的气源系统解决方案!

宁波能元机械有限公司成立于2012年6月，公司坐落于宁波市鄞州区东吴镇平塘工业区，是一家专业从事空气压缩机、弹簧式复位安全阀设计、生产制造以及销售服务的公司。公司建立了一套完善的质量控制、质量管理体系，并取得了ISO9001质量体系认证及CCS中国船级社、法国BV船级社等认证。

公司注重新技术的研发和投入，每年公司生产产值的25%用于新技术的投入和设备技术改造。在技术团队的不懈努力下，公司的产品结构改变了国内几十年来的老旧设计，产品从外观、性能以及可靠性等各方面都有了质的飞跃。

本公司船用空压机按GB/T12928-2008《船用中低压活塞空气压缩机》、GB/T12929-2008《船用高压活塞空气压缩机》、JB/T6430-2014《一般用喷油螺杆空气压缩机》标准进行设计、制造和检测。主要有低、中、高压三大系列，风冷、水冷二大类型船用空压机，具有重量轻、体积小、压力高、能耗低等特点。本司船用空压机主要用于船舶辅机系统及制氮系统，作为船舶主机的控制宅气、船舶杂用空气、船用汽笛以及消防压载自吸装置的气源设备。对于现代化船舶设备有优良的适配性和辅助作用，是现代船舶辅机系统不可缺少的重要组成部分。

公司从成立以来，业务范围逐步提高，产品种类不断增加，公司口碑不断提升，截止目前，公司的年产值已突破了5000万，并以每年30%的速度递增。公司的产品已顺利进入了中海油、中石油、中石化等国内大型企业的合格供方名录，已广泛使用在石油开采、海洋平台等重要项目中。

公司一如继往的坚持“持续改进、顾客满意”为质量方针，本着以人为本，诚信创新，专注技术，用心服务，共赢、共荣、共发展的经营理念，集中专家的智慧，不断开发绿色环保、高品质的产品。

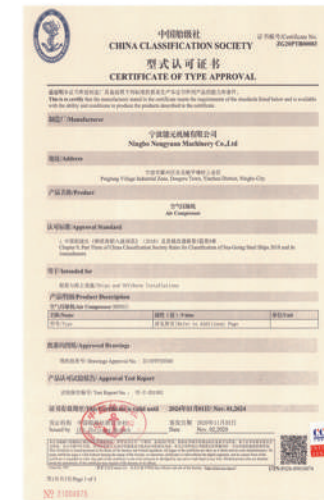
Ningbo Nengyuan Machinery Co., Ltd., established in June 2012, is located in Pingtang Industrial Zone, Dongwu Town, Yinzhou District, Ningbo. The company is specialized in the design, manufacturing and sales of air compressors and spring reset safety valves. The company has developed a complete set of quality control and management system and has obtained the ISO 9001 certification, China Classification Society certification, Bureau Veritas certification, etc.

The company lays emphasis on the research, development and investment of new technologies. 25% of corporate production value is spent on new technology investment and equipment technological transformation every year. Owing to the unremitting efforts of the technical team, the company's product structure has renewed the old domestic design lasting for decades, leading to a qualitative leap in product appearance, performance and reliability.

The company's marine air compressor products are designed, manufactured and tested in accordance with GB/T12928-2008 "Marine Medium and Low Pressure Piston Air Compressors", GB/T12929-2008 "Marine High Pressure Piston Air Compressors", and JB/T6430-2014 "General Oil-Injected Screw Air Compressors". The marine air compressor product line is categorized into three series of low, medium and high pressure and two types of air-cooled and water-cooled, featuring light weight, small volume, high pressure and low energy consumption. The marine air compressors of our company are mainly applied to marine auxiliary systems and nitrogen production systems, as the air source equipment of the main engine to control electrical equipment, marine miscellaneous air, marine steam whistle and fire ballast self-suction device, demonstrating excellent adaptability and auxiliary function for modern marine equipment and playing an indispensable and important role in modern marine auxiliary systems.

Since its establishment, the company has been gradually expanding its business scope and continuously increasing product varieties, which leads to a constantly growing company reputation. Up to now, the company's annual output value has exceeded RMB 50 million, which has been increasing at an annual rate of 30%. Our products have been included in the qualified supplier lists of large domestic enterprises such as CNOOC, PetroChina, Sinopec, etc., and have been widely used in important projects such as oil exploration and offshore platforms.

The company will continue to adhere to the quality policy of "continuous improvement for customer satisfaction" while upholding the business philosophy of putting people first, honesty, innovation, focusing on technology, and dedicated service for a win-win outcome, common prosperity and common development to gather the wisdom of experts to continuously develop green, environmentally-friendly and high-quality products.



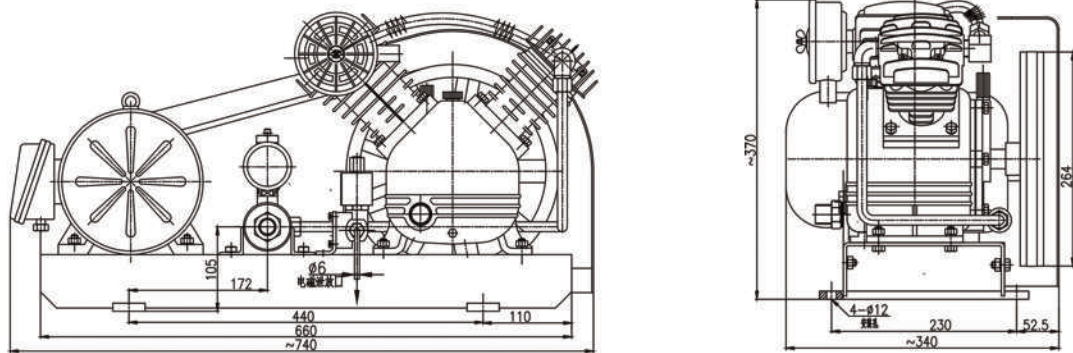
## 01

## 低压系列空压机

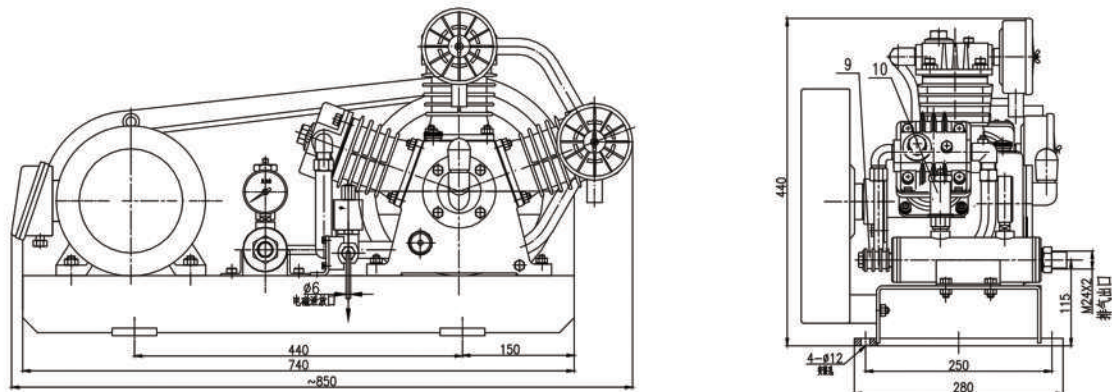
Low-Pressure Series Air Compressor



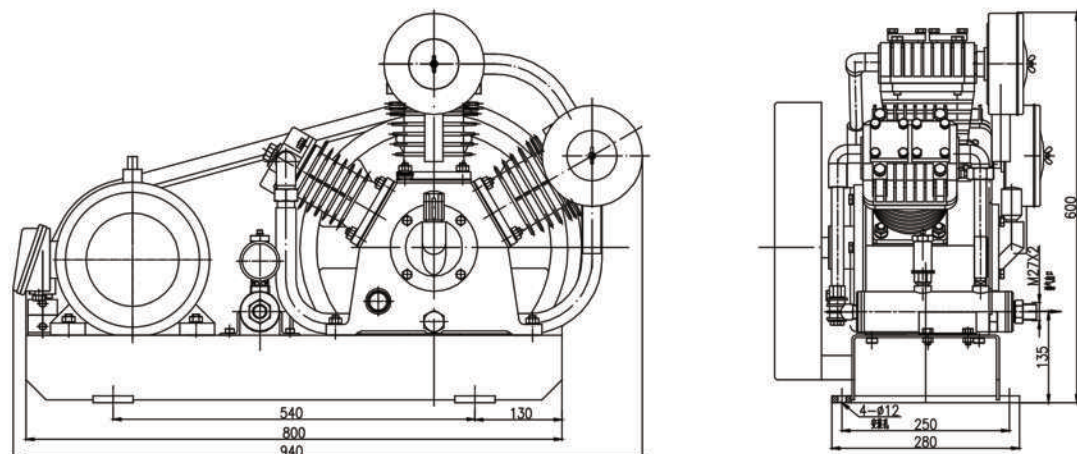
◎ CV-6/10F 型空压机组 外形图 / Outline drawing



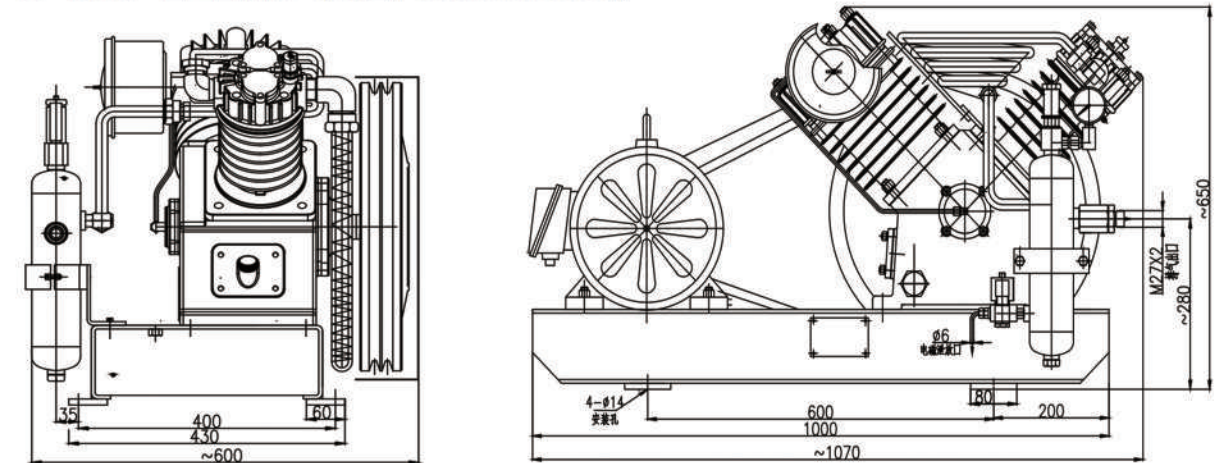
◎ CW-15/10F 型、CW-10/10F 型空压机组 外形图 / Outline drawing



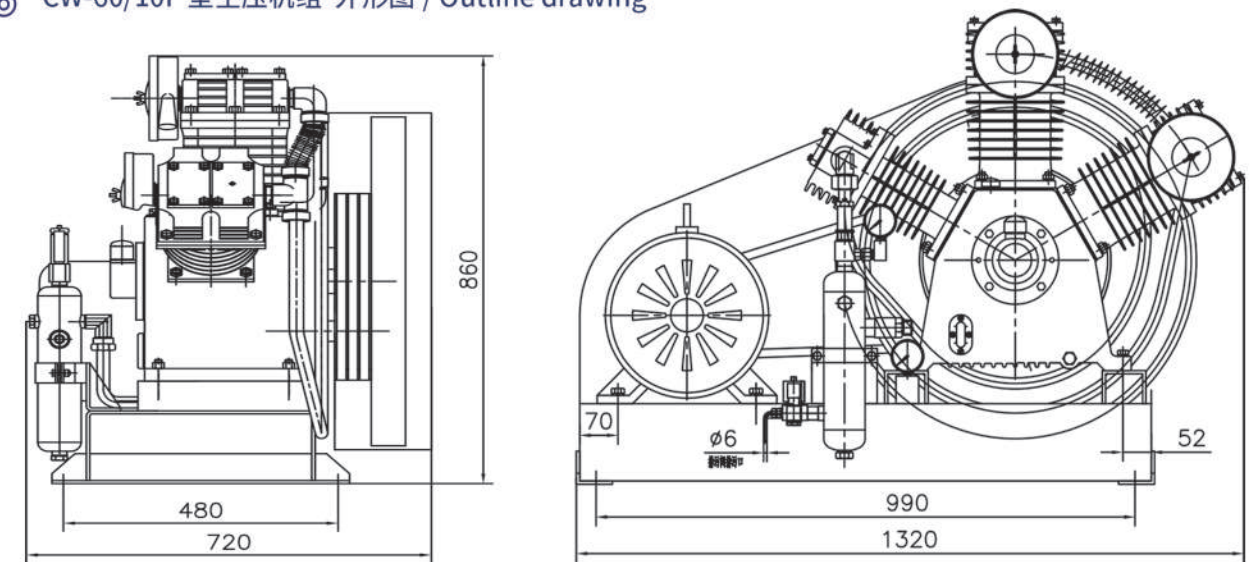
◎ CW-20/10F 型空压机组 外形图 / Outline drawing



◎ CV-40/10F 型空压机组 外形图 / Outline drawing

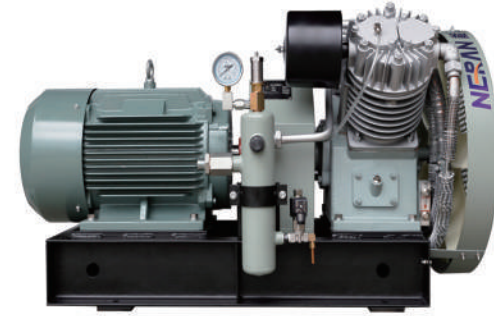


◎ CW-60/10F 型空压机组 外形图 / Outline drawing

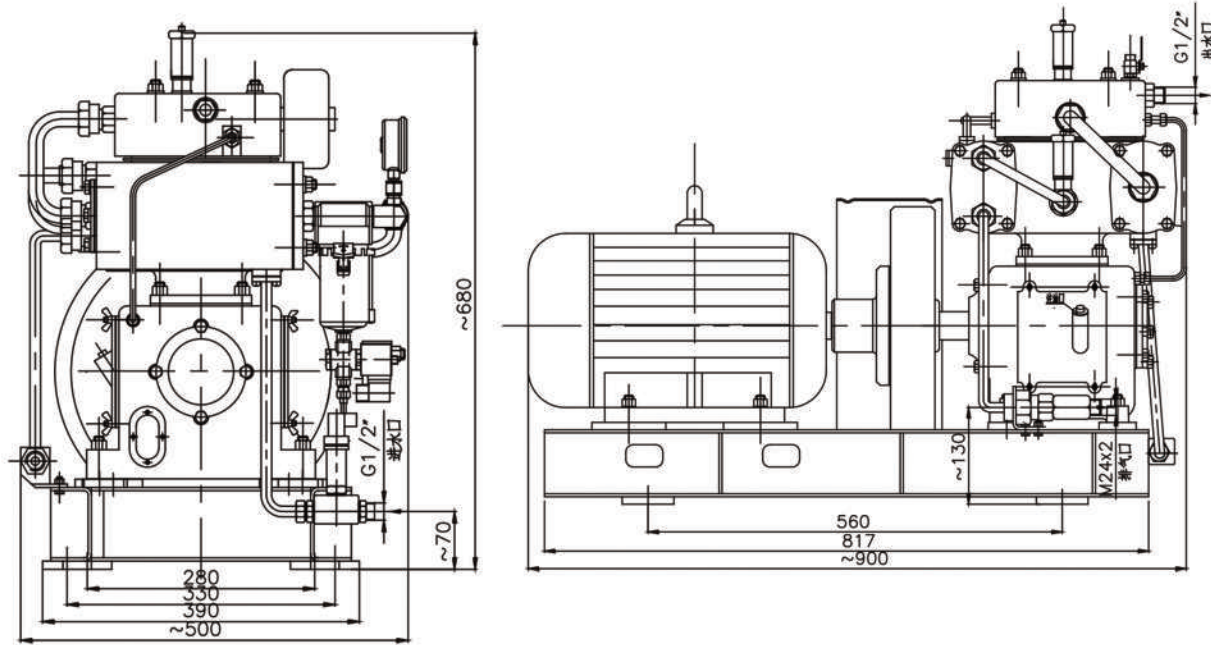


型号 Type	容积流量 Discharge Capacity m <sup>3</sup> /h	排气压力 Discharge pressure MPa	功率 Power kw	频率 HZ Frequency	额定转速 Speed r/min	重量 Weight kg	外形尺寸 Overall Size (LxWxH) 长 x 宽 x 高 mm
CV-6/10F	6	1.0	1.5	50/60	930	70	740x340x370
CW-10/10F	10	1.0	2.2	50/60	750	85	850x280x440
CW-15/10F	15	1.0	3	50/60	1100	85	850x280x440
CW-20/10F	20	1.0	4	50/60	720	130	940x280x600
CV-40/10F	40	1.0	7.5	50/60	640	260	1070x600x650
CW-60/10F	60	1.0	11	50/60	850	420	1320x720x860

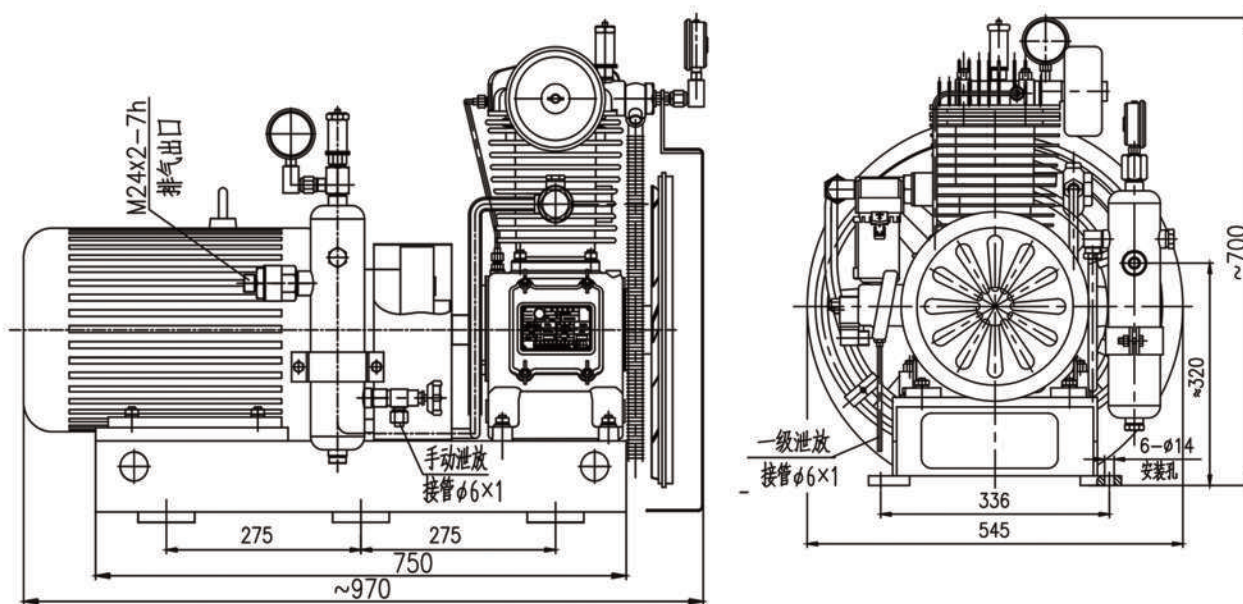
## 02 中压系列空压机·直连系列 Medium-Pressure Series Air Compressor



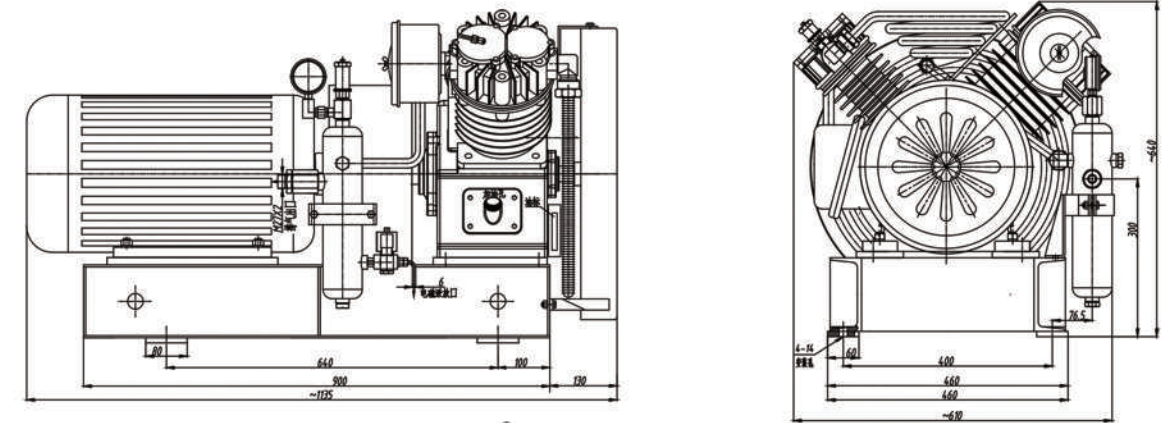
◎ CZ-20/30S 型空压机组 外形图 / Outline drawing



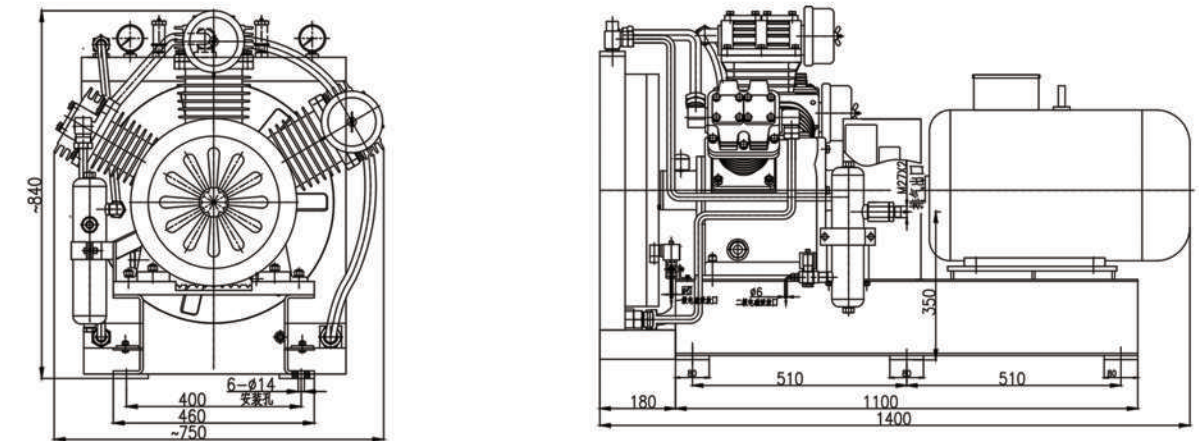
◎ CZ-20/30F 型空压机组 外形图 / Outline drawing



◎ CV-30/30F、CV-36/30F、CV-40/30F / CV-45/30F 型空压机组 外形图 / Outline drawing

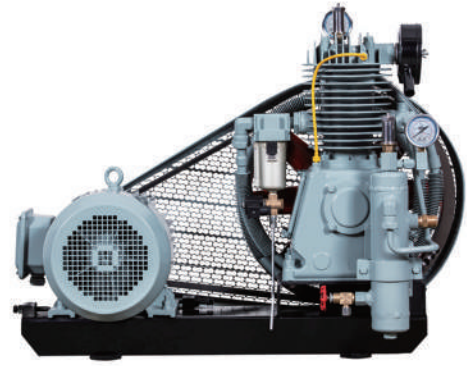


◎ CW-65/30F 型空压机组 外形图 / Outline drawing

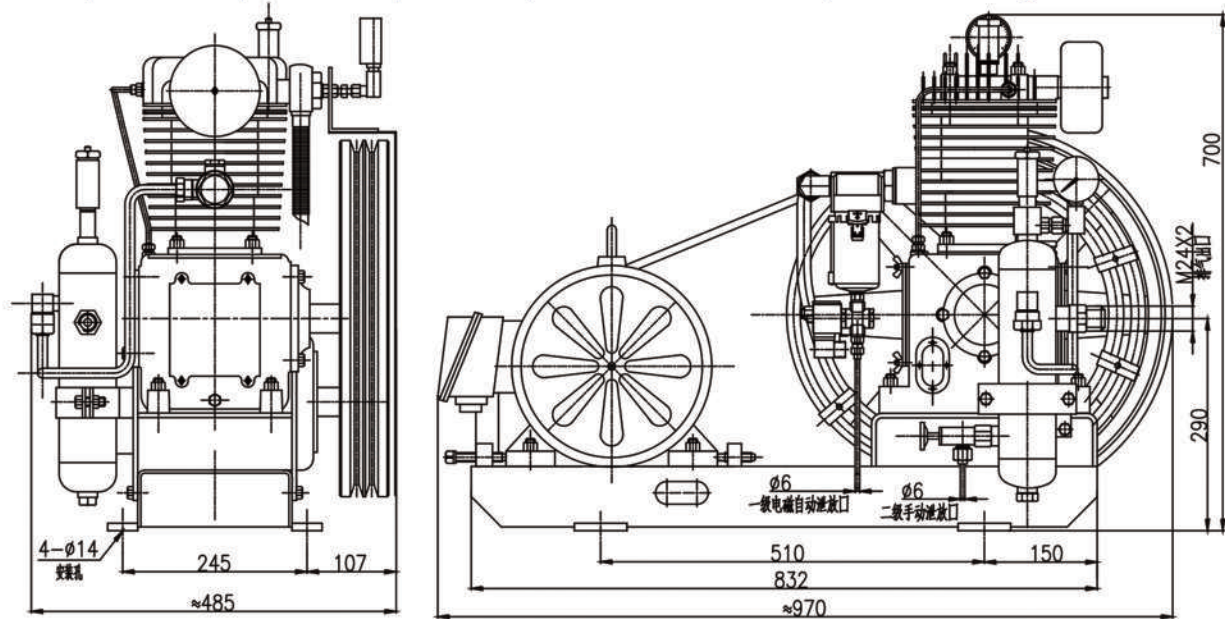


型号 Type	容积流量 Discharge Capacity m <sup>3</sup> /h	排气压力 Discharge pressure MPa	功率 Power kW	频率 HZ Frequency	额定转速 Speed r/min	重量 Weight kg	外形尺寸 Overall Size (LxWxH) 长 x 宽 x 高 mm
CZ-20/30S	20	3.0	5.5	50	1000	230	900x500x680
CZ-20/30F	20	3.0	5.5	50	1000	210	970x545x700
CZ-20/30F	20	3.0	5.5	60	1170	210	970x545x700
CV-30/30F	30	3.0	7.5	50	970	260	1135x610x640
CV-36/30F	36	3.0	11	60	1170	260	1135x610x640
CV-40/30F	40	3.0	11	50	970	270	1135x610x640
CV-45/30F	45	3.0	11	60	1170	270	1135x610x640
CW-65/30F	65	3.0	15	50	970	410	1400x750x840

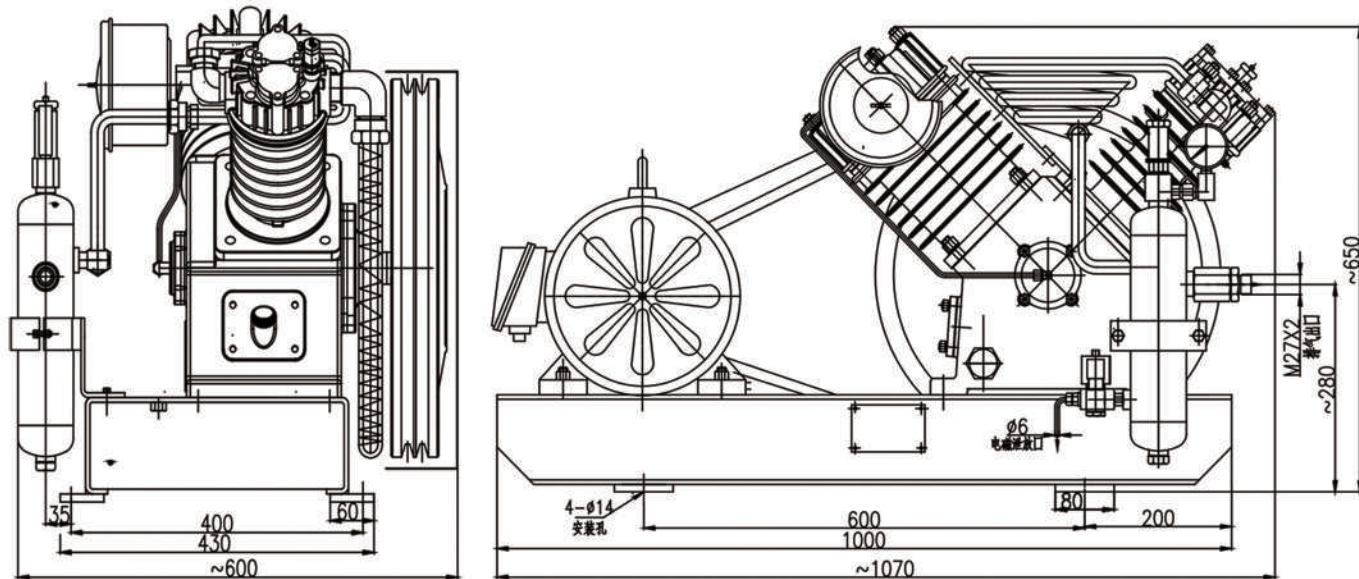
## 02 中压系列空压机·皮带系列 Medium Pressure Air Compressor



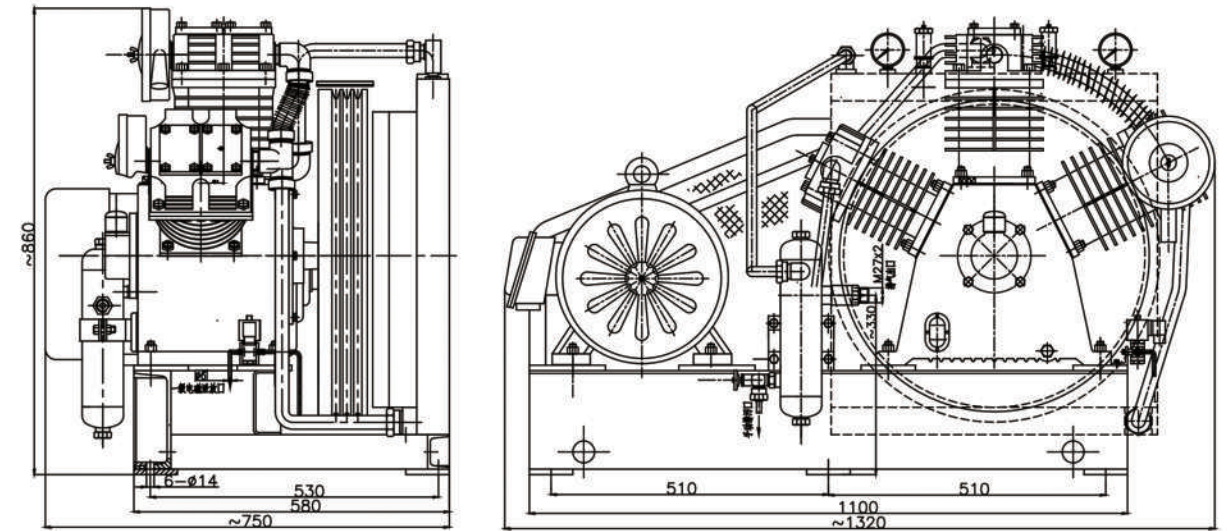
◎ CZ-20/30F、CZ-15/30F、CZ-10/30F、CZ-5/30F 型空压机组 外形图 / Outline drawing



◎ CV-30/30F、CV-40/30F、CV-45/30F 型空压机组 外形图 / Outline drawing



◎ CW-60/30F 型、CW-50/30F 型空压机组 外形图 / Outline drawing

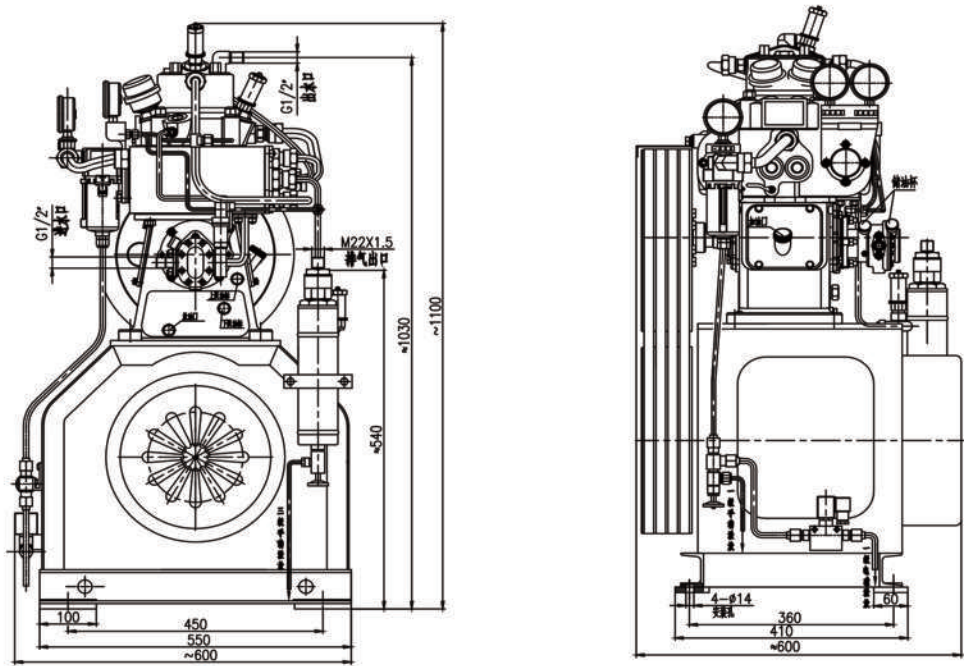


型号 Type	容积流量 Discharge Capacity m <sup>3</sup> /h	排气压力 Discharge pressure MPa	功率 Power kW	频率 HZ Frequency	额定转速 Speed r/min	重量 Weight kg	外形尺寸 Overall Size (LxWxH) 长 x 宽 X 高 mm
CZ-5/30F	5	3.0	2.2	50/60	550	170	950x485x700
CZ-10/30F	10	3.0	3	50/60	500	185	970x485x700
CZ-15/30F	15	3.0	4	50/60	750	195	970x485x700
CZ-20/30F	20	3.0	5.5	50/60	1000	210	970x485x720
CZF-20.4/30-C	20.4	3.0	5.5	50/60	600	230	970x470x780
CV-30/30F	30	3.0	7.5	50/60	550	260	1070x600x650
CV-40/30F	40	3.0	11	50/60	640	300	1070x600x650
CV-45/30F	45	3.0	11	50/60	720	300	1070x600x650
CW-50/30F	50	3.0	15	50/60	720	450	1320x750x860
CW-60/30F	60	3.0	15	50/60	850	450	1320x750x860

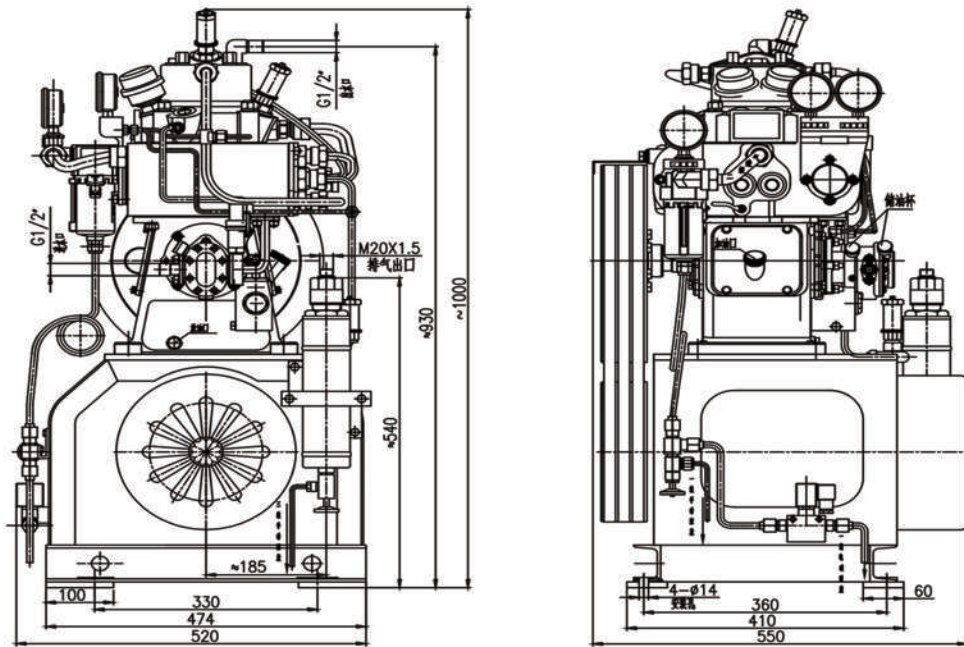
03 高压系列空压机  
High-Pressure Series Air Compressor



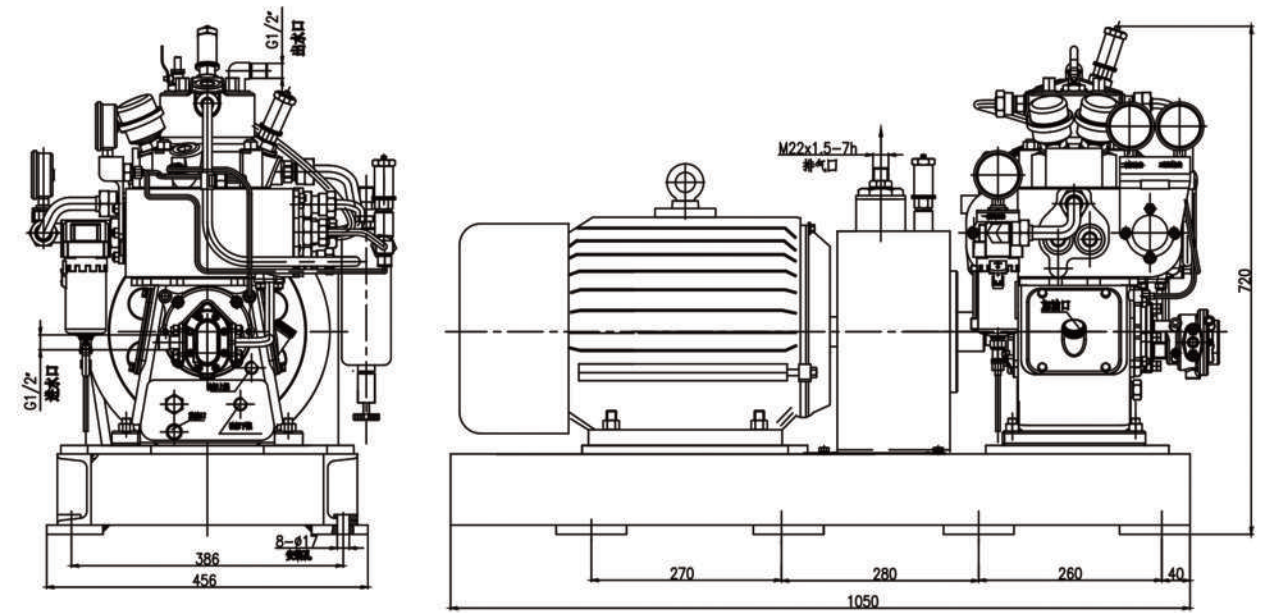
© CZ-0.41/200B、CZ-0.42/150B、CZ-0.43/60B 型立式空压机组外形图 / Outline drawing



© 1-0.27/150B型立式空压机组外形图 / Outline drawing

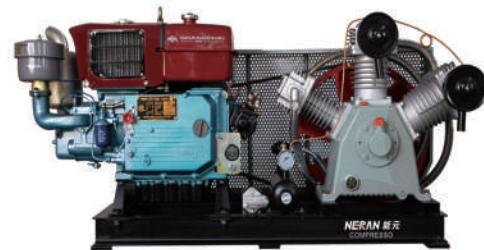


© CZ-0.41/200A、CZ-0.42/150A、CZ-0.43/60A、1-0.27/150A 型卧式空压机组 外形图 / Outline drawing

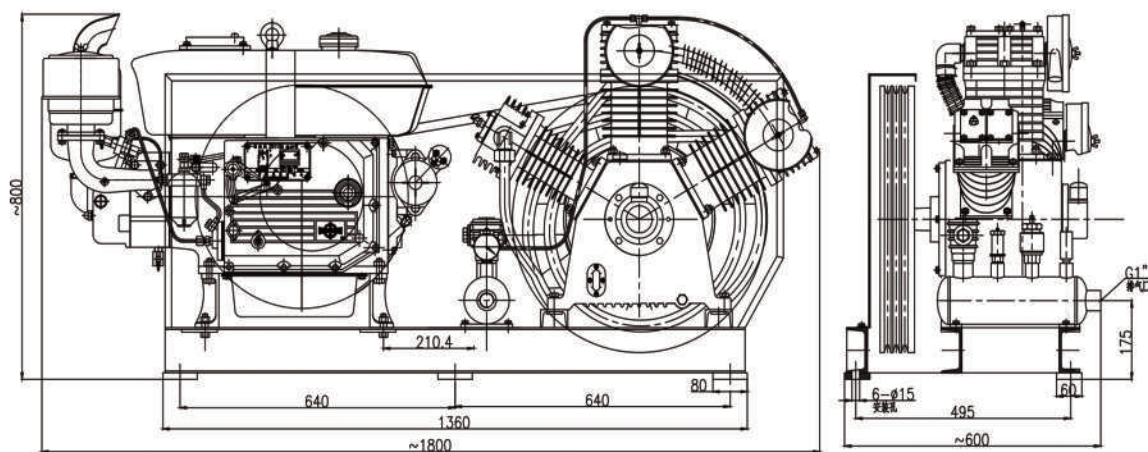


型号 Type	容积流量 Discharge Capacity m <sup>3</sup> /h	排气压力 Discharge pressure MPa	功率 Power kW	频率 HZ Frequency	额定转速 Speed r/min	重量 Weight kg	外形尺寸 Overall Size (LxWxH) 长 x 宽 X 高 mm
CZ-0.41/200B	0.41	19.6	11	50/60	1470	320	600x600x1100
CZ-0.42/150B	0.42	14.7	11	50/60	1470	320	600x600x1100
CZ-0.43/60B	0.43	6.0	11	50/60	1470	290	600x600x1100
1-0.27/150B	0.27	14.7	7.5	50/60	970	280	520x550x1000
CZ-0.41/200A	0.41	19.6	11	50	1470	320	1050x456x720
CZ-0.42/150A	0.42	14.7	11	50	1470	320	1050x456x720
CZ-0.43/60A	0.43	6.0	11	50	1470	290	1050x456x720
1-0.27/150A	0.27	14.7	7.5	50	970	280	1050x456x720

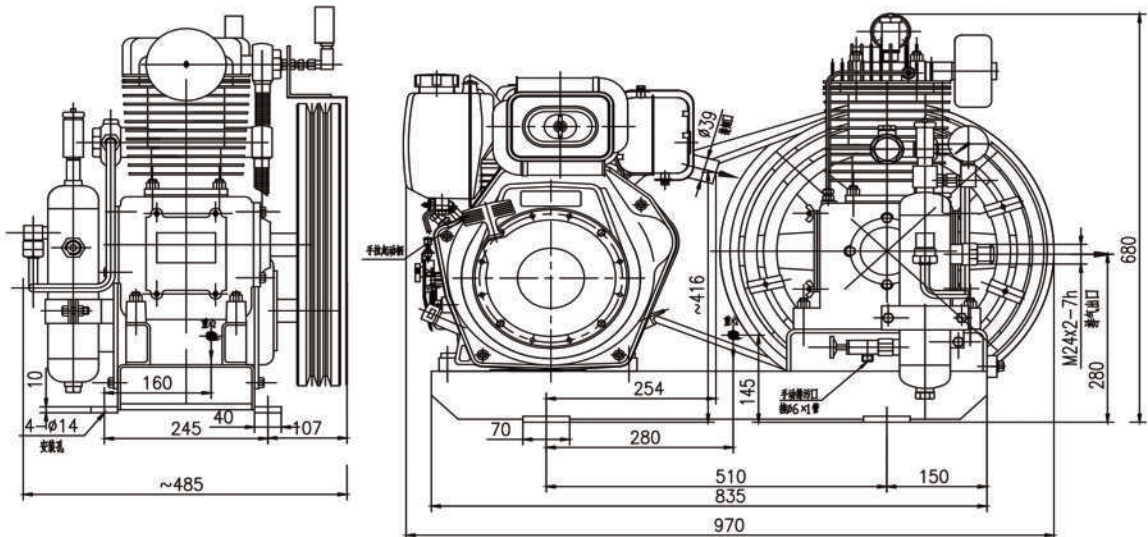
## 04 船用应急压缩机 Marine Emergency Compressor



◎ CWC-60/10F 型空压机组 外形图 / Outline drawing



◎ CZC-20/30F 型空压机组 外形图 / Outline drawing

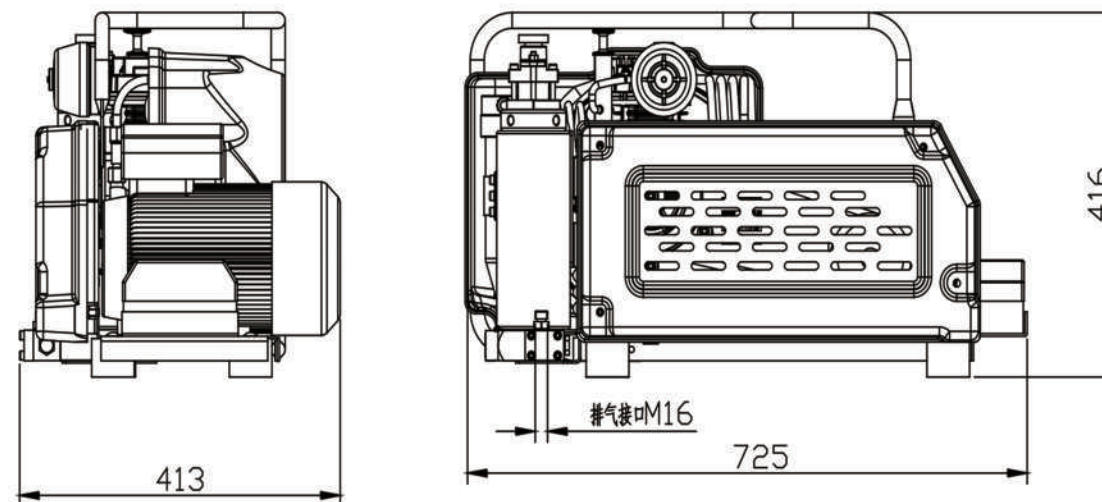


型号 Type	排量 Discharge Capacity m <sup>3</sup> /h	排出压力 Discharge pressure MPa	轴功率 Power kW	额定转速 Speed r/min	重量 Weight kg	外形尺寸 Overall Size (LxWxH) 长 x 宽 X 高 mm
CWC-60/10F	60	1.0	10	850	400	1800x600x800
CZC-20/30F	20	3.0	5.0	1000	190	970x485x680

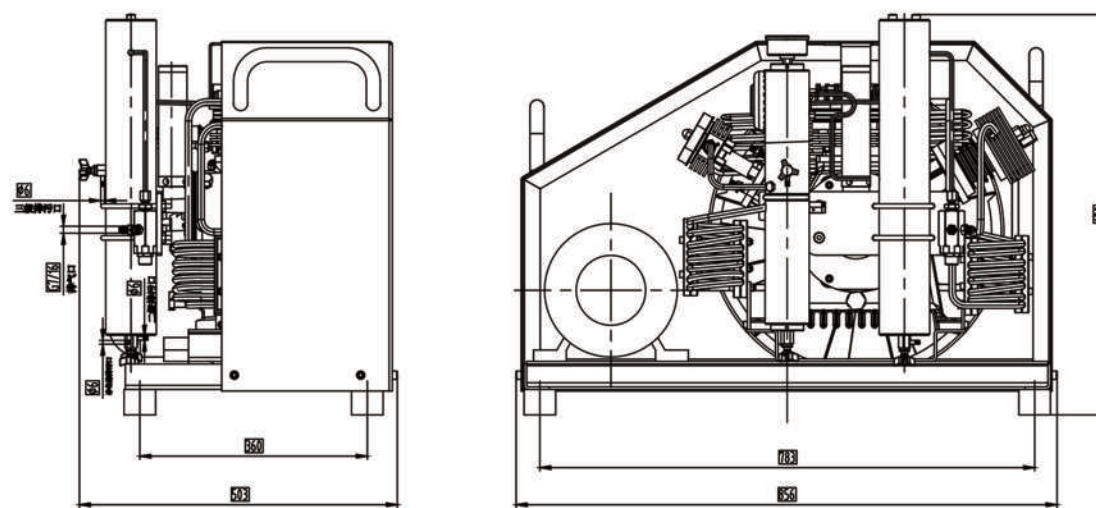
## 05 船用呼吸系列 Marine Breathing Series



◎ CW-6/300F 型空压机组 外形图 / Outline drawing



◎ CW-12/300F、CW-18/300F 型空压机组 外形图 / Outline drawing



型号 Type	排量 Discharge Capacity m <sup>3</sup> /h	排出压力 Discharge pressure MPa	功率 Power kW	频率 HZ Frequency	额定转速 Speed r/min	重量 Weight kg	外形尺寸 Overall Size (LxWxH) 长 x 宽 X 高 mm
CW-6/300F	6	30	2.2	50/60	2280	45	725x413x416
CW-12/300F	12	30	5.5	50/60	1450	118	856x503x630
CW-18/300F	18	30	7.5	50/60	1300	210	1160x600x710

## 06

螺杆式系列  
Screw Series

产品系列 Product series	产品型号 Type	排气压力 Discharge pressure MPa	排气流量 Exhaust flow (m <sup>3</sup> /min)	冷却方式 Cooling mode	额定转速 Speed r/min	频率 (hz) Frequency	电机功率 Power(Kw)
LGF	LGF-10-C	0.8~1.3	0.8~1.1	风冷	2915/3520	50/60	7.5
	LGF-15-C		1.2~1.6		2930/3540		11
	LGF-20-C		1.7~2.4		2930/3540		15
	LGF-25-C		2.3~3		2925/3550		18.5
	LGF-30-C		2.6~3.6		2945/3560		22
	LGF-40-C		3.7~5		2950/3560		30
	LGF-50-C		4.6~6.8		2955/3570		37
	LGF-60-C		5.5~8		2960/3580		45
	LGF-75-C		6.5~9.8		2960/3580		55
	LGF-100-C		9~13.1		2965/3580		75
	LGF-125-C		11.6~15.5		2965/3580		90
	LGF-150-C		12.1~20		2970/3580		110
LGF-180-C	15.4~23.2	2975/3580	132				
LGS	LGS-30-C	0.8~1.3	2.6~3.6	水冷	2945/3560	50/60	22
	LGS-40-C		3.7~5		2950/3560		30
	LGS-50-C		4.6~6.8		2955/3570		37
	LGS-60-C		5.5~8		2960/3580		45
	LGS-75-C		6.5~9.8		2960/3580		55
	LGS-100-C		9~13.1		2965/3580		75
	LGS-125-C		11.6~15.5		2965/3580		90
	LGS-150-C		12.1~20		2970/3580		110
	LGS-180-C		15.4~23.2		2975/3580		132
	LGS-220-C		20.2~27		2980/3580		160
	LGS-250-C		21.8~32.3		2980/3580		185
	LGS-300-C		28.2~38.4		2980/3580		220
LGS-340-C	33.3~42.6	2980/3580	250				

## 07

冷冻式干燥机系列  
Refrigerated Dryer Series

型号 Type	额定处理量 Processing capacity m <sup>3</sup> /min	电源 Power Supply v/hz	压缩机功率 Power (kw)	风扇功率 Power (w)	供气接口 Air supply interface	重量 Weight (kg)	外形尺寸 Overall Size (LxWxH) 长 x 宽 X 高 mm
NAD-1HTF	1.5	220/50	0.85	90	ZG1	80	630x450x640
NAD-2HTF	2.4	220/50	0.85	110	ZG1	90	700x450x830
NAD-3HTF	3.8	220/50	1.25	140	ZG1	105	850x500x920
NAD-6HTF	6.5	220/50	1.5	180	ZG1.5	150	880x550x1020
NAD-8HTF	8.5	220/50	1.8	180	ZG1.5	160	1100x600x960
NAD-10HTF	10.7	380/50	2.5	280	ZG2	240	1300x620x980
NAD-13HTF	13.5	380/50	2.5	280	ZG2	260	1300x620x980
NAD-15HTF	18	380/50	3	280	DN65	310	1550x650x1200
NAD-20HTF	23	380/50	4	360	DN80	400	1750x760x1300
NAD-25HTF	28	380/50	4.5	450	DN80	450	1850x860x1380
NAD-30HTF	33	380/50	6.5	600	DN100	780	1850x860x1380
NAD-40HTF	45	380/50	8.8	750	DN125	820	2100x900x1550
NAD-50HTF	55	380/50	10.2	1200	DN125	900	2350x1050x1910
NAD-60HTF	65	380/50	13	1200	DN125	1100	2550x1100x1940